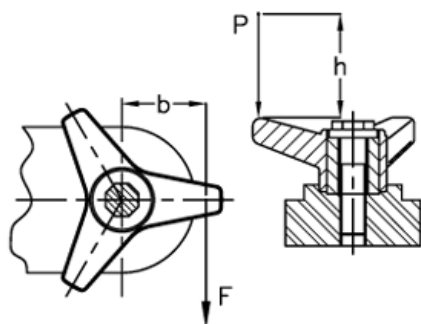
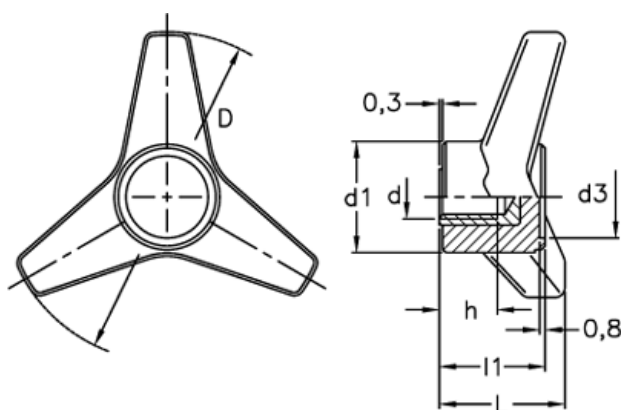


Article number: 2302065675
 Description: E+G Three-arm knob
 VB.639/80 B-M10

Measures



$$C[N \cdot m] = F[N] \cdot b[m] \quad L[J] = P[N] \cdot h[m]$$

C (N m) = 80

D = 80

d1 = 32

d3 = 21

d 6H = M10

h = 17

L = 35

L(J) = 6

l1 = 30